

APPLICATION:

JOB NAME:

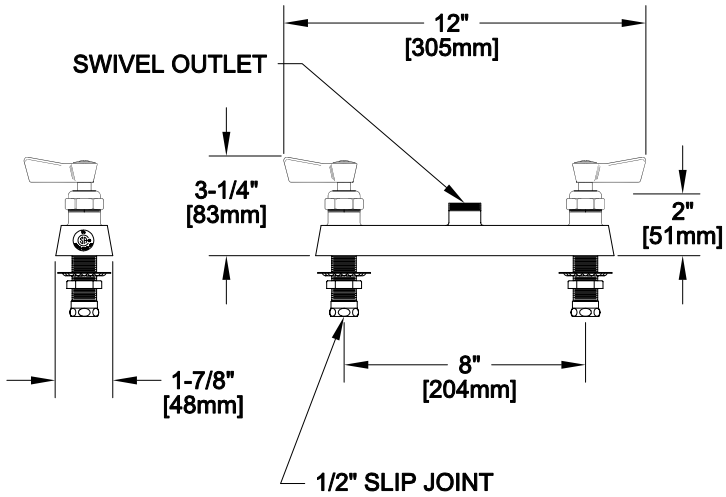
QUANTITY: ITEM NO.

PRODUCT NAME:
8" C/C DECK MOUNT CONTROL VALVE SWIVEL OUTLET

SPECIAL CONFIGURATION
 CHECK BASE MODEL AND OPTIONS

MODEL:
 3300-CV

OPTIONS OR MODIFICATIONS:
 OTHER _____



FEATURES

CONTROL VALVE

- * 8" DECK MOUNT
- * INTERNAL SPRING LOADED CHECK VALVES
- * SWIVELLING SEAT DISKS
- * HOT SIDE STEM - RIGHT HAND
- * COLD SIDE STEM - LEFT HAND
- * STAINLESS STEEL SEATS
- * STAINLESS STEEL SEAT SCREWS
- * STAINLESS STEEL HANDLE SCREWS

SYSTEM LIMITS

- * TEMP: 40°F MIN. TO 140°F MAX.
- * PRESSURE: 200 PSI MAX. STATIC

SHIPPING WEIGHT

- * 3.75 LBS

ROUGH-IN:

